

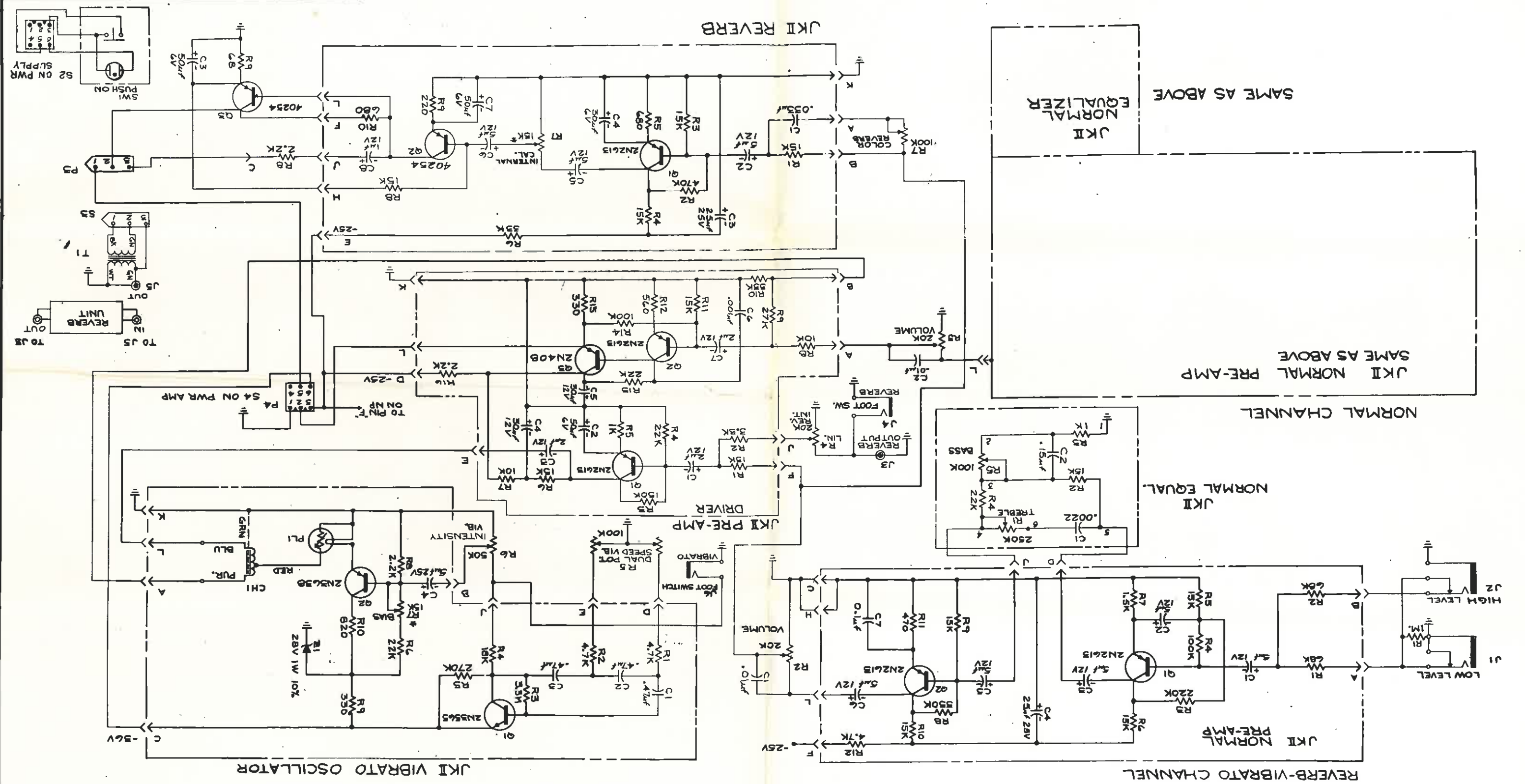
132C-00-00  
 AMPHER CORPORATION  
 OF AMERICA  
 390 BROADWAY  
 NEW YORK, N. Y.

JK II  
 PRE-AMP

DESIGNED BY: FJK  
 DRAWN BY: W.B.  
 CHECKED BY: F.K.K.  
 APPROVED BY: F.K.K.  
 DATE: 8-23-65  
 CONTRACT NO.:

FINISH:  
 MATERIAL:  
 DIMENSIONS ARE IN INCHES  
 TOLERANCES ON DIMENSIONS  
 UNLESS OTHERWISE SPECIFIED

\* FACTORY ADJUST



REVISIONS	APPLICATION	DATE	APPROVAL
Q2	REVERB AMR12N554	1-10-66	
Q3	TRANSISTORS REPLACED WITH SERIAL NO. 30001		

JK II NORMAL PRE-AMP  
 SAME AS ABOVE

JK II NORMAL EQUALIZER  
 SAME AS ABOVE

JK II REVERB  
 SAME AS ABOVE

