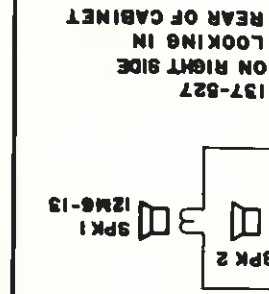
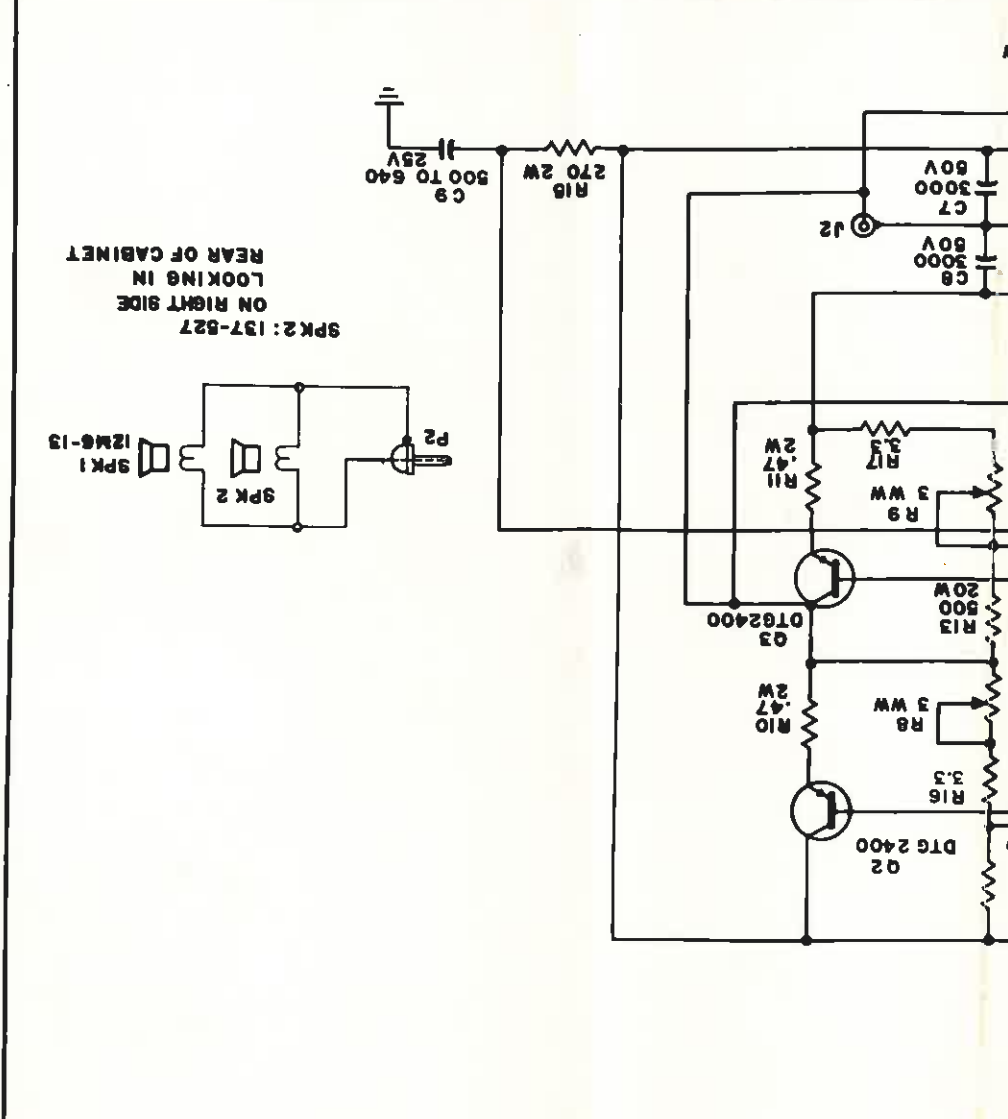


APPLICATION		REVISIONS	
NEXT ASSY	USED ON	SYM	DESCRIPTION
			DATE
			APPROVAL

FOR MODELS WITH SERIAL NUMBER 30101 TO 31,500 INCLUSIVE.

132C-00-00-B	
--------------	--

DESIGNED BY: F.K.	DRAWN BY: J.M.	CHECKED BY:	APPROVED BY:	DATE: 5-13-66	CONTRACT NO.:
MATERIAL:					
FINISH:					
UNLESS OTHERWISE SPECIFIED					
DIMENSIONS ARE IN INCHES					
TOLERANCES ON DIMENSIONS ARE AS SHOWN					



NOTE: ALL "R" VALUES IN OHMS  
ALL "C" VALUES IN MICRO-FARADS  
T2-PT89A FOR 220VOLTS MODELS

AMPURER CORPORATION  
OF AMERICA  
75 FROST STREET  
WESTBURY, N.Y. 11590  
TEL: (516) 333-9100

JAZZ KING II  
PWR. AMP & SUPPLY

SCALE:

132C-00-01